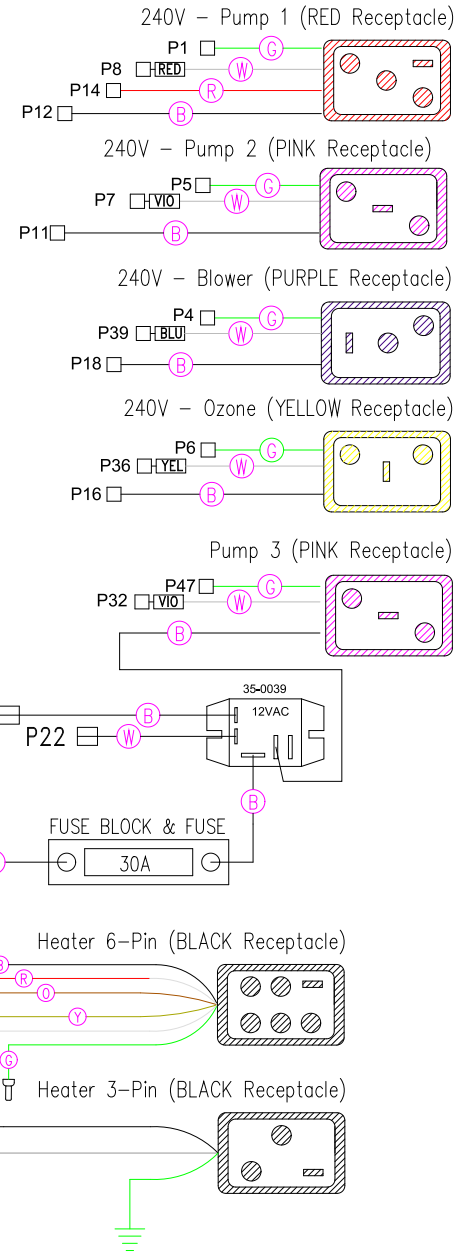
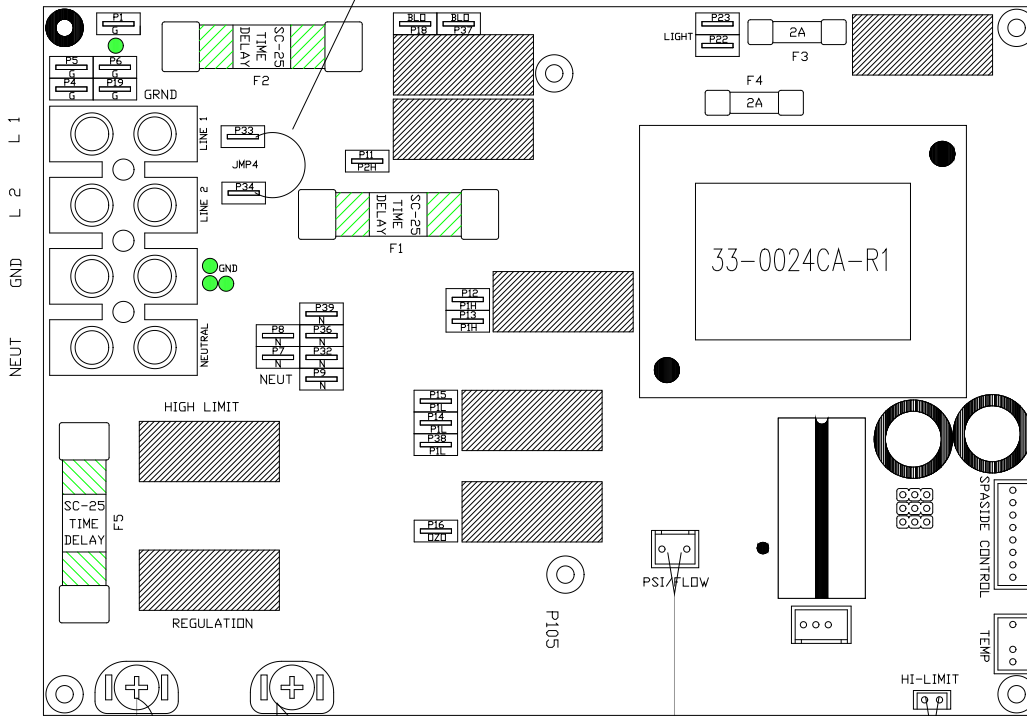


SEE NOTE BELOW



LEGEND	
□	- 1/4" QUICK CONNECT
▢	- 1/4" QUICK CONNECT PIGGYBACK
○	- RING CONNECTOR
◻	- SOCKET CONNECTOR
△	- PIN CONNECTOR

HYDRO-QUIP
CORONA, CA (951) 273-7575

Manufacture Notes:

NOTE: FOR DUAL PHASE INPUT POWER (16A x 2) REMOVE JUMPER LOCATED AT JMP4 AND CONNECT POWER ACCORDINGLY. L1, L2, GROUND, NEUTRAL. RECONNECT THE P3 POWER AT P33

Drawn	Rev	Wire Color Code
MBS	2	
Date	06.11.09	B - Black Br - Brown R - Red O - Orange Y - Yellow
Diagram No.	8052	G - Green Bl - Blue V - Violet W - White Gr - Gray